

# Dayton® Direct-Drive Blowers

E  
N  
G  
L  
I  
S  
H

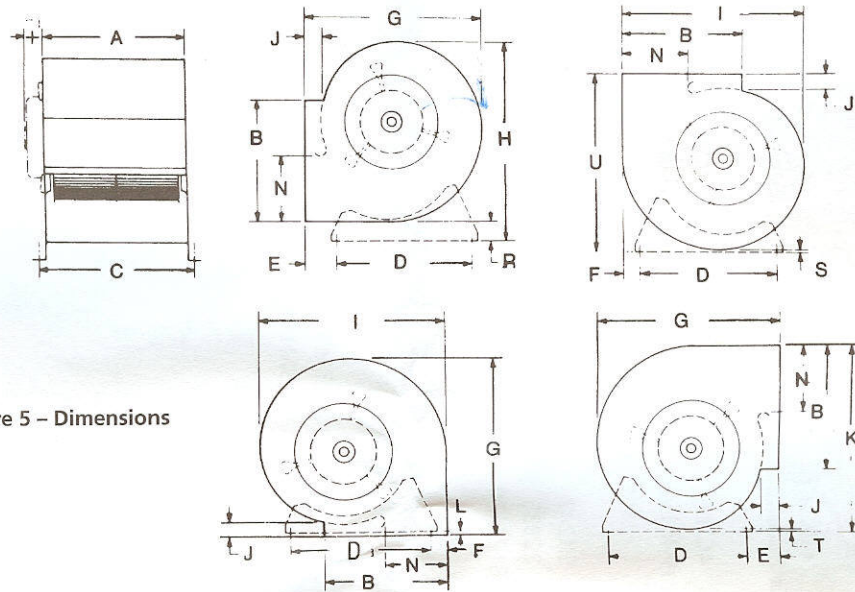


Figure 5 - Dimensions

(+) Varies with motor length.

## Specifications (in inches)

Model	A	B	C	D	E	F	G	H	I	J	K	L	N	R	S	T	U	Wheel		Inlet Dia.	Wt. Lbs.	
																		Dia.	W			
4C589	9 <sup>3</sup> / <sub>16</sub>	10 <sup>5</sup> / <sub>16</sub>	10 <sup>3</sup> / <sub>16</sub>	11 <sup>3</sup> / <sub>4</sub>	2 <sup>5</sup> / <sub>8</sub>	1 <sup>3</sup> / <sub>8</sub>	14 <sup>15</sup> / <sub>16</sub>	16 <sup>15</sup> / <sub>16</sub>	15 <sup>7</sup> / <sub>16</sub>	1 <sup>1</sup> / <sub>2</sub>	15 <sup>9</sup> / <sub>16</sub>	1/4	6 <sup>5</sup> / <sub>16</sub>	1 <sup>1</sup> / <sub>2</sub>	1/8	1/8	15 <sup>1</sup> / <sub>16</sub>	9 <sup>1</sup> / <sub>2</sub>	7 <sup>7</sup> / <sub>8</sub>	7 <sup>13</sup> / <sub>16</sub>	15 <sup>1</sup> / <sub>2</sub>	
7F730																						
7F731																						
4C590	11 <sup>13</sup> / <sub>16</sub>	10 <sup>5</sup> / <sub>16</sub>	12 <sup>13</sup> / <sub>16</sub>	11 <sup>3</sup> / <sub>4</sub>	2 <sup>5</sup> / <sub>8</sub>	1 <sup>3</sup> / <sub>8</sub>	14 <sup>15</sup> / <sub>16</sub>	16 <sup>15</sup> / <sub>16</sub>	15 <sup>7</sup> / <sub>16</sub>	1 <sup>1</sup> / <sub>2</sub>	15 <sup>9</sup> / <sub>16</sub>	1/4	6 <sup>5</sup> / <sub>16</sub>	1 <sup>1</sup> / <sub>2</sub>	1/8	1/8	15 <sup>1</sup> / <sub>16</sub>	9 <sup>1</sup> / <sub>2</sub>	9 <sup>1</sup> / <sub>2</sub>	7 <sup>13</sup> / <sub>16</sub>	17	
7F732																						
4C591	10 <sup>1</sup> / <sub>2</sub>	11 <sup>3</sup> / <sub>8</sub>	11 <sup>1</sup> / <sub>2</sub>	13 <sup>3</sup> / <sub>8</sub>	2 <sup>5</sup> / <sub>8</sub>	1 <sup>9</sup> / <sub>16</sub>	16 <sup>9</sup> / <sub>16</sub>	18 <sup>29</sup> / <sub>32</sub>	17 <sup>13</sup> / <sub>32</sub>	1 <sup>1</sup> / <sub>2</sub>	17 <sup>17</sup> / <sub>32</sub>	1/4	7	1 <sup>1</sup> / <sub>2</sub>	1/8	1/8	16 <sup>11</sup> / <sub>16</sub>	10 <sup>5</sup> / <sub>8</sub>	8	8 <sup>13</sup> / <sub>16</sub>	18	
7F733																						
7F734																						
4C592	13 <sup>1</sup> / <sub>8</sub>	11 <sup>3</sup> / <sub>8</sub>	14 <sup>1</sup> / <sub>8</sub>	13 <sup>3</sup> / <sub>8</sub>	2 <sup>5</sup> / <sub>8</sub>	1 <sup>9</sup> / <sub>16</sub>	16 <sup>9</sup> / <sub>16</sub>	18 <sup>29</sup> / <sub>32</sub>	17 <sup>13</sup> / <sub>32</sub>	1 <sup>1</sup> / <sub>2</sub>	17 <sup>17</sup> / <sub>32</sub>	1/4	7	1 <sup>1</sup> / <sub>2</sub>	1/8	1/8	16 <sup>11</sup> / <sub>16</sub>	10 <sup>5</sup> / <sub>8</sub>	10 <sup>5</sup> / <sub>8</sub>	8 <sup>13</sup> / <sub>16</sub>	19	

NOTE: All dimensions shown are in inches.